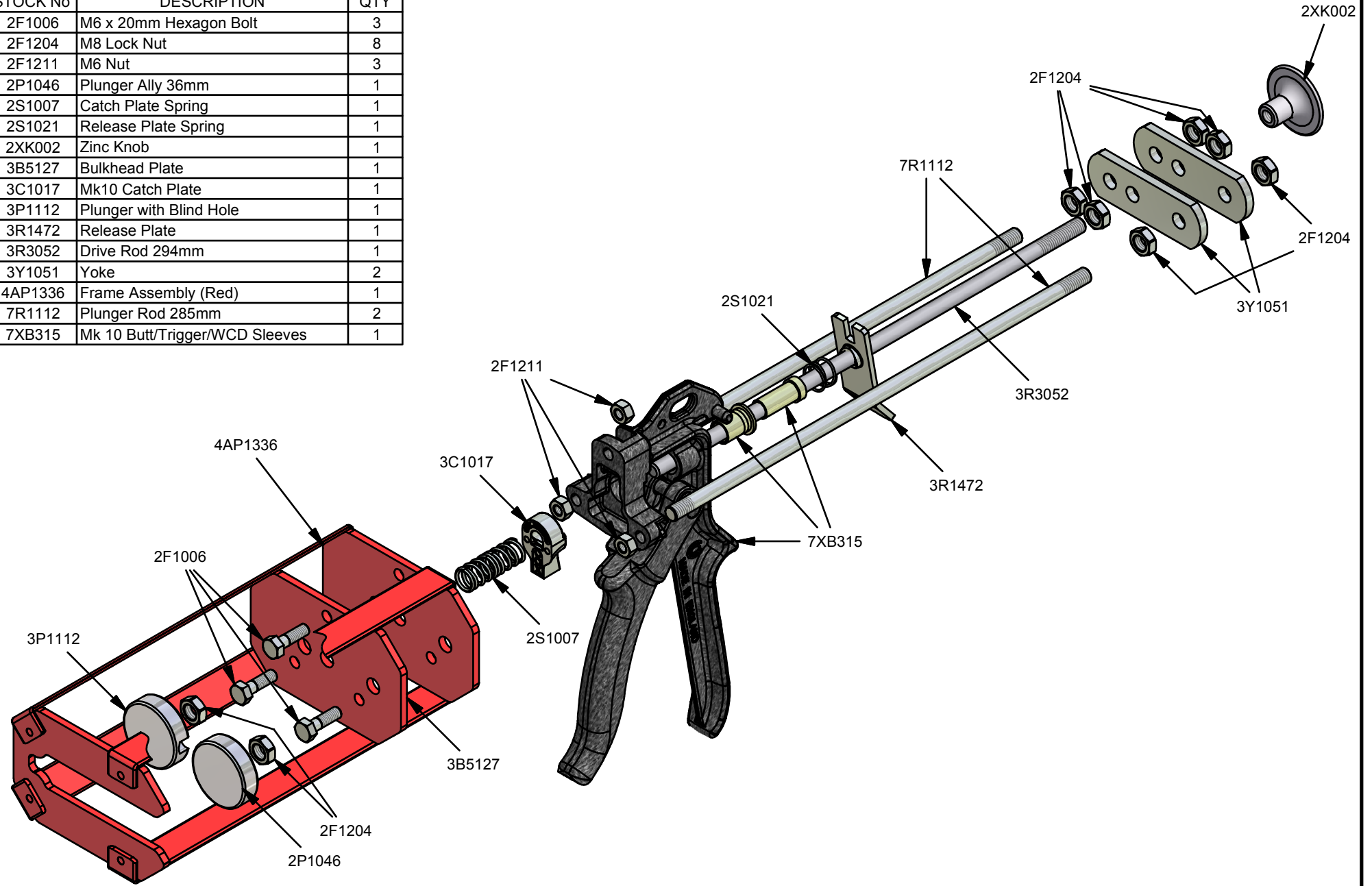


| Parts List |                                |     |
|------------|--------------------------------|-----|
| STOCK No   | DESCRIPTION                    | QTY |
| 2F1006     | M6 x 20mm Hexagon Bolt         | 3   |
| 2F1204     | M8 Lock Nut                    | 8   |
| 2F1211     | M6 Nut                         | 3   |
| 2P1046     | Plunger Ally 36mm              | 1   |
| 2S1007     | Catch Plate Spring             | 1   |
| 2S1021     | Release Plate Spring           | 1   |
| 2XK002     | Zinc Knob                      | 1   |
| 3B5127     | Bulkhead Plate                 | 1   |
| 3C1017     | Mk10 Catch Plate               | 1   |
| 3P1112     | Plunger with Blind Hole        | 1   |
| 3R1472     | Release Plate                  | 1   |
| 3R3052     | Drive Rod 294mm                | 1   |
| 3Y1051     | Yoke                           | 2   |
| 4AP1336    | Frame Assembly (Red)           | 1   |
| 7R1112     | Plunger Rod 285mm              | 2   |
| 7XB315     | Mk 10 Butt/Trigger/WCD Sleeves | 1   |

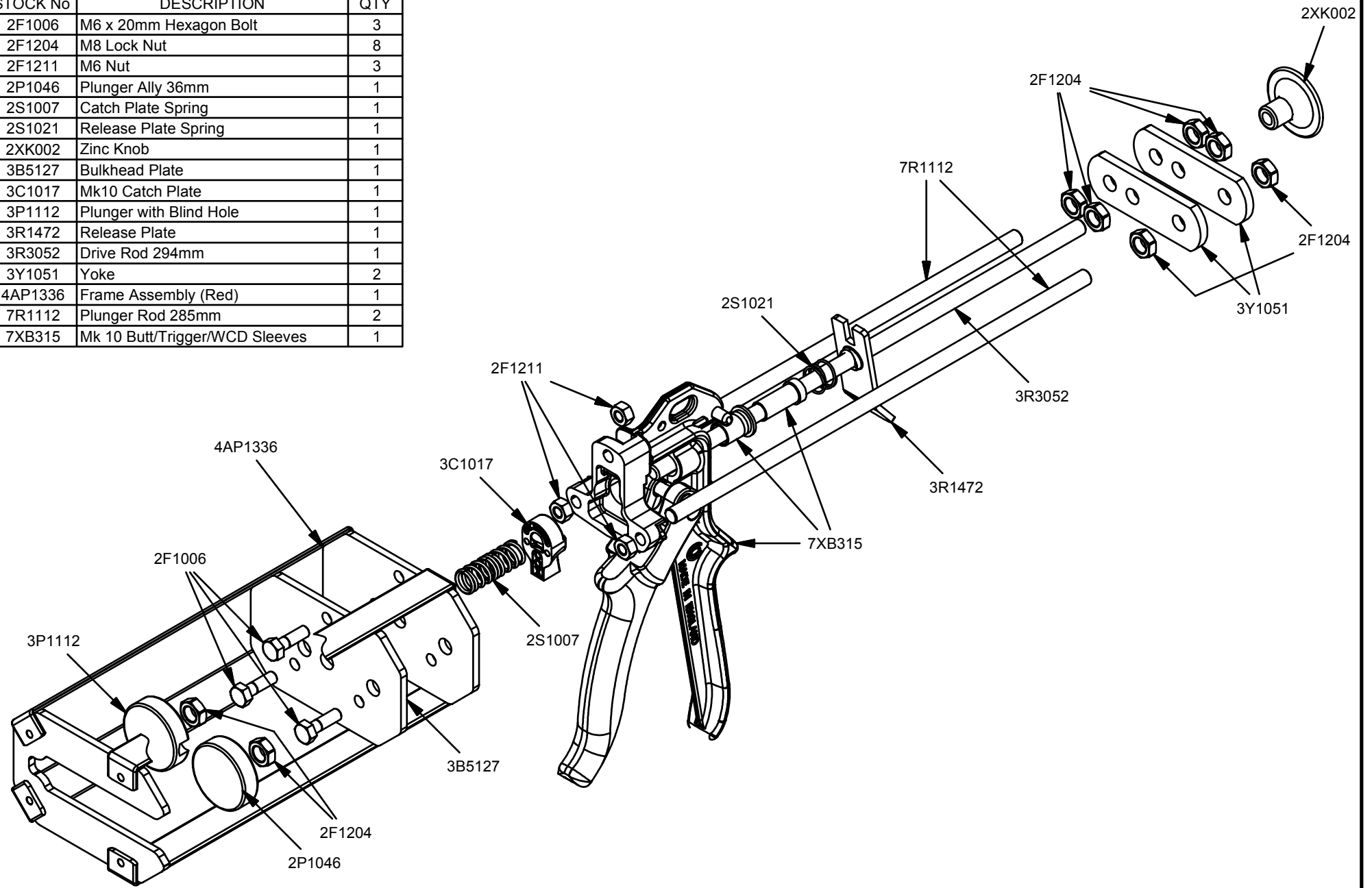


VBM 400X(MR)



| REV | DATE       |
|-----|------------|
| F   | 27/08/2003 |

| Parts List |                                |     |
|------------|--------------------------------|-----|
| STOCK No   | DESCRIPTION                    | QTY |
| 2F1006     | M6 x 20mm Hexagon Bolt         | 3   |
| 2F1204     | M8 Lock Nut                    | 8   |
| 2F1211     | M6 Nut                         | 3   |
| 2P1046     | Plunger Ally 36mm              | 1   |
| 2S1007     | Catch Plate Spring             | 1   |
| 2S1021     | Release Plate Spring           | 1   |
| 2XK002     | Zinc Knob                      | 1   |
| 3B5127     | Bulkhead Plate                 | 1   |
| 3C1017     | Mk10 Catch Plate               | 1   |
| 3P1112     | Plunger with Blind Hole        | 1   |
| 3R1472     | Release Plate                  | 1   |
| 3R3052     | Drive Rod 294mm                | 1   |
| 3Y1051     | Yoke                           | 2   |
| 4AP1336    | Frame Assembly (Red)           | 1   |
| 7R1112     | Plunger Rod 285mm              | 2   |
| 7XB315     | Mk 10 Butt/Trigger/WCD Sleeves | 1   |



VBM 400X(MR)



REV

DATE

F

27/08/2003